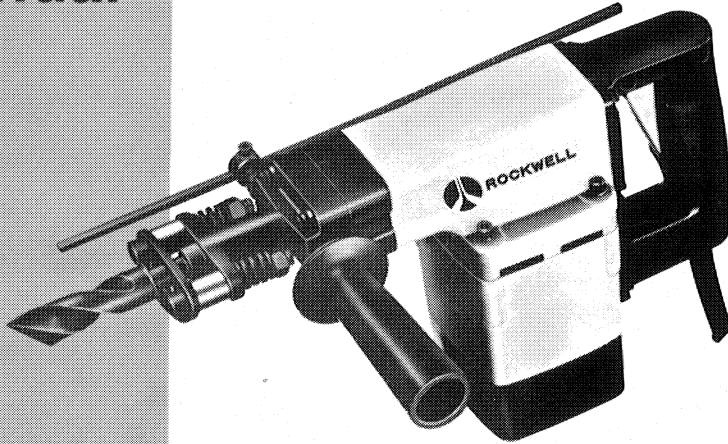


# Double Insulated Rotary Hammer

## Instruction manual



MODEL 601

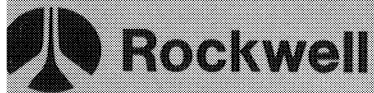
### IMPORTANT

Please make certain that the person who is to use this equipment carefully reads and understands these instructions before starting operations.

The Model and Serial No. plate is located on the main housing of the tool. Record these numbers in the spaces below and retain for future reference.

Model No. \_\_\_\_\_  
Type \_\_\_\_\_  
Serial No. \_\_\_\_\_

Part No. 863538-0811



# SAFETY RULES FOR ALL TOOLS

As with all power tools there is a certain amount of hazard involved with the operator and his use of the tool. Using the tool with the respect and caution demanded as far as safety precautions are concerned will considerably lessen the possibility of personal injury. However, if normal safety precautions are overlooked or completely ignored, personal injury to the operator can develop.

There are also certain applications for which this tool was designed. Rockwell strongly recommends that this tool NOT be modified and/or used in any application other than for which it was designed. If you have any questions relative to its application DO NOT use the tool until you have written Rockwell and we have advised you.

Manager of Product Safety  
Power Tool Division  
Rockwell International  
400 North Lexington Avenue  
Pittsburgh, Pa. 15208

1. **KEEP WORK AREA CLEAN.** Cluttered areas and benches invite accidents.
2. **AVOID DANGEROUS ENVIRONMENT.** Don't expose power tools to rain. Don't use power tools in damp or wet locations. Keep work area well lit. Avoid chemical or corrosive environment.
3. **KEEP VISITORS AWAY.** All visitors should be kept a safe distance from work area.
4. **STORE IDLE TOOLS.** When not in use, tools should be stored in dry, high or locked up place - out of the reach of children.
5. **DON'T FORCE TOOL.** It will do the job better and safer at the rate for which it was designed.
6. **USE RIGHT TOOL.** Don't force small tool or attachment to do the job of a heavy duty tool.
7. **WEAR PROPER APPAREL.** No loose clothing or jewelry to get caught in moving parts. Rubber gloves and foot wear are recommended when working outdoors.
8. **WEAR EYE PROTECTORS.** Wear safety glasses or goggles while operating power tools. Also face or dust mask if operation creates dust. All persons in the area where power tools are being operated should also wear safety eye protectors and face or dust masks.
9. **DON'T ABUSE CORD.** Never carry tool by cord or yank it to disconnect from a receptacle. Keep cord from heat, oil and sharp edges. Have damaged or worn power cord and strain reliever replaced immediately.
10. **SECURE WORK.** Use clamps or a vise to hold work, it's safer than using your hand and it frees both hands to operate tool.
11. **DON'T OVERREACH.** Keep proper footing and balance at all times.

**12. MAINTAIN TOOLS WITH CARE.** Keep tools sharp and clean for best and safe operation. Follow instructions for lubricating and changing accessories. Have all worn, broken or lost parts replaced immediately.

**13. DISCONNECT TOOLS.** When not in use; before servicing; when changing accessories such as blades, bits, cutters, etc.

**14. REMOVE ADJUSTING KEYS AND WRENCHES.** Form habit of checking to see that keys and wrenches are removed from tool before turning it on.

**15. AVOID ACCIDENTAL STARTING.** Don't carry plugged in tool with finger on switch. Be sure switch is off when plugging in.

**16. OUTDOOR USE EXTENSION CORDS.** When tool is used outdoors, use only extension cords marked "suitable for use with outdoors appliances - store indoors when not in use."

**17. BE SURE** accessories and cutting tool are assembled securely to tool. **EXTRA CARE** must be taken when using tools on elevated locations (such as a roof, ladder, scaffold, or the like) to prevent injury to someone on a lower level in the event the tool and/or accessory should drop.

**18. DO NOT USE** tools with cracked or warped housings, handles, etc. Dirt or moisture embedded in cracks can provide a current path to the exterior of the tool. This could produce a possible shock hazard, in the event a short should develop within the tool.

## **REPLACEMENT PARTS**

When servicing use only identical replacement parts.

## **ADDITIONAL SAFETY RULES FOR ROTARY HAMMERS**

1. **ALWAYS** wear ear protectors when using for extended periods.
2. **ALWAYS** hold machine by the switch and auxiliary handle to prevent accidental electrical shock resulting from cutting a live wire when drilling or cutting into a wall or other blind area.
3. **ALWAYS** disconnect the hammer from the power circuit before installing or removing drills or other accessories.
4. **ALWAYS** make sure the latch is positioned to retain the drill or other accessory before starting the hammer.
5. **ALWAYS** use the auxiliary handle.
6. **ALWAYS** keep your hands away from the latch while the hammer is in operation.
7. **ALWAYS** be sure the Hammer and Drill Indicating Lever is in the correct position for the operation to be performed.

**8. AVOID EXPLOSIVE ENVIRONMENT.** It is characteristic of the type motor used in portable electric tools to faintly spark at the places where the brushes contact the armature commutator. This sparking is quite normal and will not harm the tool. Because of this sparking, however, portable electric tools should NEVER be started or run where there is any possible chance that a fire or explosion might occur due to the presence of manufactured or natural gas, gasoline, naphtha, some types of paint thinners, fumes from these thinners and paints thinned by them, etc.

**MOTOR**

Most Rockwell tools will operate on either D.C., or single phase 25 to 60 cycle A.C. current and voltage within plus or minus 5 percent of that shown on the specification plate on the tool. Several models, however, are designed for A.C. current only. Refer to the specification plate on your tool for proper voltage and current rating.

**CAUTION:** Do not operate your tool on a current on which the voltage is not within correct limits. Do not operate tools rated A.C. only on D.C. current. To do so may seriously damage the tool.

**EXTENSION CORD SELECTION**

If an extension cord is used, make sure the conductor size is large enough to prevent excessive voltage drop which will cause loss of power and possible motor damage. A table of recommended extension cord sizes will be found below. This table is based on limiting line voltage drop to 5 volts (10 volts for 230 volts) at 150% of rated amperes.

**RECOMMENDED EXTENSION CORD SIZES FOR USE WITH PORTABLE ELECTRIC TOOLS**

		Length of Cord in Feet									
115V		25 Ft.	50 Ft.	100 Ft.	150 Ft.	200 Ft.	250 Ft.	300 Ft.	400 Ft.	500 Ft.	
230V		50 Ft.	100 Ft.	200 Ft.	300 Ft.	400 Ft.	500 Ft.	600 Ft.	800 Ft.	1000 Ft.	
Nameplate Ampere Rating	0-2	18	18	18	16	16	14	14	12	12	
	2-3	18	18	16	14	14	12	12	10	10	
	3-4	18	18	16	14	12	12	10	10	8	
	4-5	18	18	14	12	12	10	10	8	8	
	5-6	18	16	14	12	10	10	8	8	6	
	6-8	18	16	12	10	10	8	6	6	6	
	8-10	18	14	12	10	8	8	6	6	4	
	10-12	16	14	10	8	8	6	6	4	4	
	12-14	16	12	10	8	6	6	6	4	2	
	14-16	16	12	10	8	6	6	4	4	2	
	16-18	14	12	8	8	6	4	4	2	2	
18-20	14	12	8	6	6	4	4	2	2		

**FOREWORD**

Your ROCKWELL Hammer is designed for drilling holes in concrete and like materials - for setting self-drilling anchors - for chipping, chiseling, edging, channeling, scaling and other hammering where rotation is not required.

# OPERATING INSTRUCTIONS

## HOW TO USE THE HAMMER

Make sure hammer is disconnected from power circuit.

1. Install bit or other accessory as outlined in section, "TO INSTALL BITS AND ACCESSORIES."
2. If the operation to be done requires the use of the depth gage, install and adjust it as outlined in, "TO INSTALL AND ADJUST DEPTH GAGE."
3. Put on safety goggles.
4. Connect hammer to power circuit. Make sure the power circuit voltage is the same as that shown on the specification plate on the hammer.
5. Set Hammer and Drill Indicator in the "D" position.
6. Grasp switch handle with one hand and the auxiliary handle with the other hand.
7. Place tip of bit or other accessory against the work and exert slight pressure.
8. Depress switch trigger to start hammer. NOTE - HAMMER REQUIRES NO WARM-UP PERIOD. TOOL MAY BE PLACED IN OPERATION IMMEDIATELY.
9. Apply steady, even pressure during the complete operation.
10. As soon as the operation is completed, release switch trigger.
11. CAUTION - Turn tool off when not in use to avoid excessive idling. Keep latch mechanism in proper working condition. Replace latch spring if broken or worn. This is your assurance that your hammer is protected against undue stress and damage.
12. When using tapered shank drill bits, make sure bit shank and tapered seat in the holder are clean and free of grease. Install drill in drill holder. Now, install drill assembly in hammer, following the instructions given in "TO INSTALL BITS AND ACCESSORIES." To remove drill bit from the holder, first remove the drill assembly from the hammer. Next, insert the drift key in the slot in the holder with the tapered face toward the bit. Drive key to loosen drill bit.

## TO INSTALL BITS AND ACCESSORIES

1. Disconnect machine from power source.
2. Clean bit or accessory shank end and apply a light film of grease to surface of shank.
3. Using a bar (A) or similar object, pry latch bolt head (B) out of counterbore of latch (C), as shown in Fig. 1.

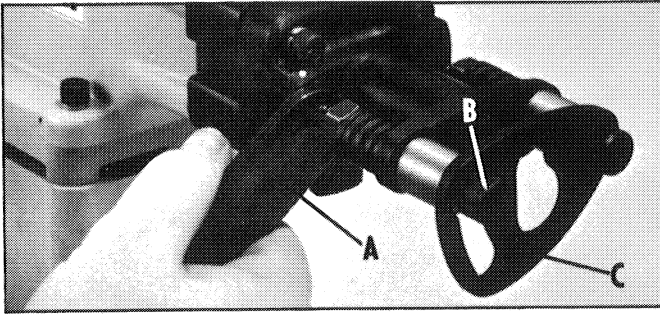


Fig. 1

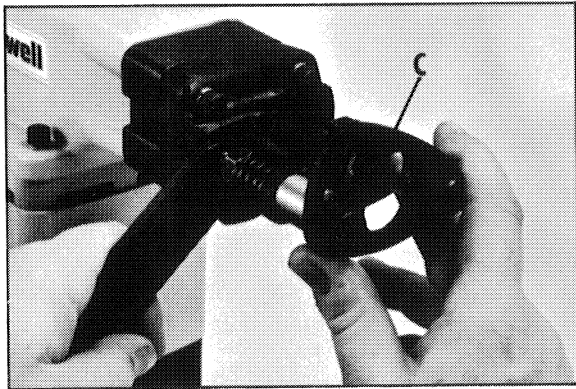


Fig. 2

4. Pivot latch (C) to the open position, as shown in Fig. 2.

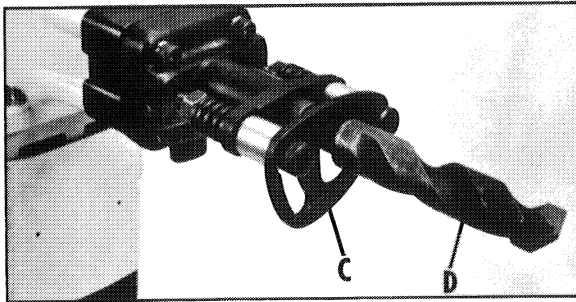


Fig. 3

5. Install bit (D) or other rotating accessory into nose and pivot latch (C) to locked position, as shown in Fig. 3.

6. When installing a NONROTATING type of accessory, bull point chisel, slotting tool, or the like, be sure the flats on the shank of accessory are positioned within the slot in the latch and the latch is pivoted to the locked position.

### **HAMMER AND DRILL INDICATOR**

A "T" shaped lever (A), having a "WHITE" end and a "BLACK" end, is located beneath the nosepiece Fig. 4.

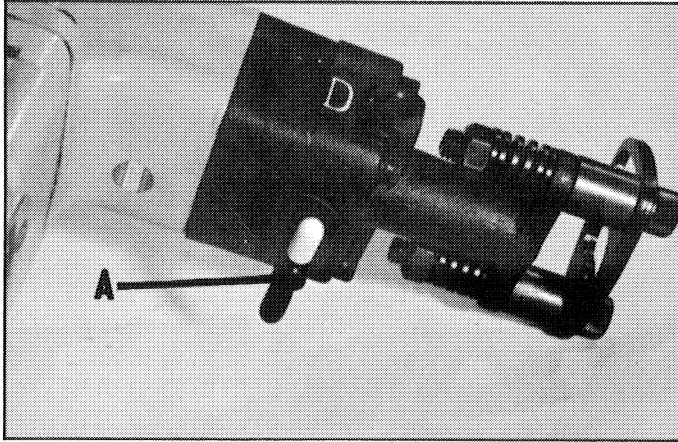


Fig. 4

When the "WHITE" end is towards the side of the nose marked "D", a revolving and hammering action is delivered to any accessory installed in the hammer. The hammer may be used with the lever in this position when using either Rotating or Nonrotating accessories. Nonrotating accessories will not rotate due to the design of the shank.

When the "WHITE" end is towards the side of the nose marked "H" only a hammering action is produced. ONLY Nonrotating accessories may be used with the lever in the position.

### **INSTALLING SELF-DRILLING ANCHORS**

An adapter is furnished with your hammer that accommodates Chuck Heads used to install self drilling anchors. It may be found helpful to start the drilling operation for self drilling anchors with the Hammer and Drill Indicator Lever set in the "H" position until a spot is started to prevent the anchor from wandering. Then turn to "D" position for completing the hole. After the hole has been drilled, the lever is turned to the "H" position for driving the anchor into the hole.

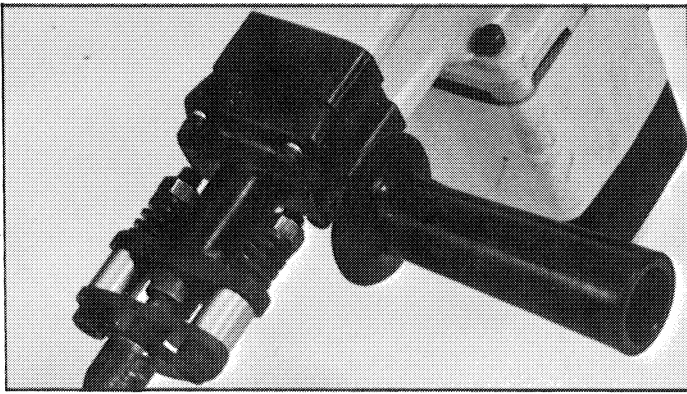


Fig. 5

### **TO INSTALL AUXILIARY HANDLE**

The auxiliary handle should always be used-especially when drilling. It may be installed on either side of the nose. Fig. 5, shows it on the left side.

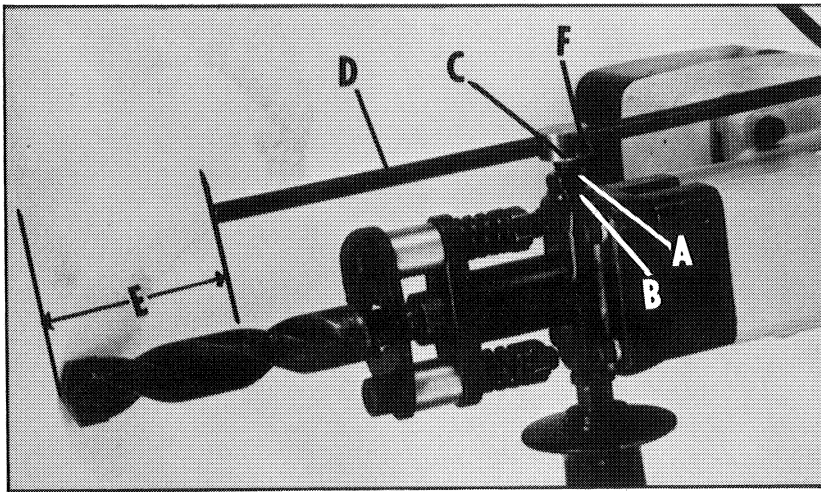


Fig. 6

### **TO INSTALL AND ADJUST DEPTH GAGE**

1. The depth gage may be installed in either the right or left side of the nose piece. For most convenient operation we suggest it be installed in the right side of the nose piece.
2. Thread nut (A) and lockwasher (B) on depth gage bracket screw (C) in that order. Assemble bracket screw (C) to nosepiece approximately three turns. Put depth stop rod (D) through hole in bracket screw (C). Hold rod (D) in line with bit or nosepiece and tighten nut (A) to secure bracket screw (C) on nosepiece. Adjust rod to desired dimension (E) and firmly tighten screw (F) with wrench furnished with hammer.



# **MAINTENANCE**

## **KEEP TOOL CLEAN**

Maintenance of your Rockwell Hammer is simple. Make a habit of keeping the air passages clear of dust and other debris by blowing them out daily. If working conditions are extremely dusty, blow out air passages more often. Clean, unclogged air passages assure a cooler running motor and contribute to longer motor life. When you clean the air passages, also clean the housings and check for loose screws. Tighten any that might have loosened. All plastic parts should be cleaned with a soft cloth. NEVER use solvents when cleaning plastic parts. Other than this, your hammer requires no maintenance.

## **FAILURE TO START**

Should your tool fail to start, check to make sure the prongs on the cord plug are making good contact in the outlet. Also, check for blown fuses or open circuit breakers in the line.

## **BRUSH INSPECTION AND LUBRICATION**

Brushes should be checked after approximately 100 hours use depending on the load the machine has been subjected to. Brush inspection, because of the "double insulation" of this tool, should be handled ONLY by a Authorized Rockwell Service Center.

To add lubricant it is necessary to dismantle the tool. This operation should always be handled by the nearest Rockwell Authorized Service Center and we suggest lubrication be inspected during brush inspection.

Any loss of power before the above maintenance check may indicate the need for immediate servicing of your tool. DO NOT CONTINUE TO OPERATE TOOL UNDER THIS CONDITION. If proper operating voltage is present, return your tool to the Service Station for immediate service.

## **SERVICE AND REPAIRS**

All quality tools will eventually require servicing or replacement of parts due to wear from normal use. These operations, including brush inspection and replacement, should ONLY be performed by either an AUTHORIZED ROCKWELL SERVICE STATION or a ROCKWELL SERVICE CENTER. All repairs made by these agencies are fully guaranteed against defective material and workmanship. We can not guarantee repairs made or attempted by anyone other than these agencies.

Should you have any questions about your tool, feel free to write us at any time. In any communications, please give all information shown on the nameplate of your tool (model number, type, serial number, etc.).

# ACCESSORIES

## DRILLING

Your Rockwell Rotary Hammer is designed to utilize percussion type carbide tip bits in one piece shank configuration (A) Fig. 7. or taper shank configuration with drill holder (B) Fig. 7.

When using carbide tip bits, do not use water to settle the dust. The water might set up stresses in the carbide to cause it to crack and may cause bit to jam in the hole.

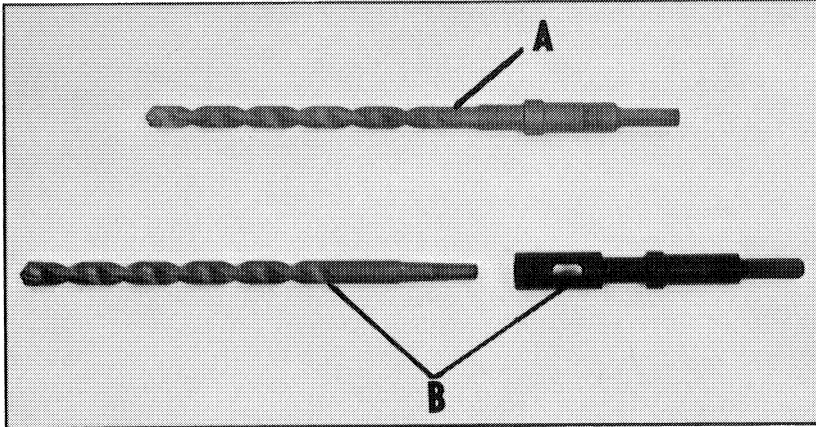


Fig. 7

## HAMMERING

Hammering accessories when installed in the hammer will have a hammering action only and will not rotate. Such accessories for instance are bull points, chisels, mortar chisels and caulking tools. Hammering accessories have shanks such as that shown in Fig. 8.

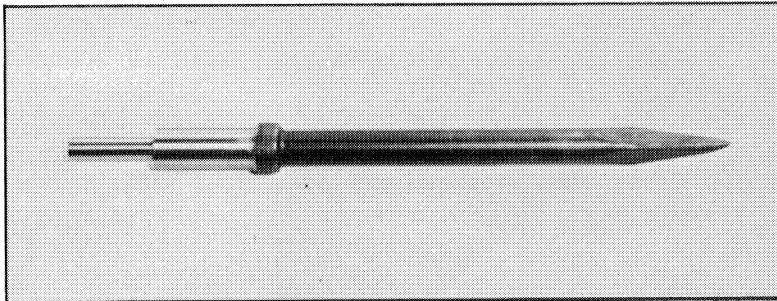


Fig. 8

The testing of these tools has been accomplished with the use of the following accessories ONLY. For safest operation, it is recommended that ONLY these accessories be used with this product.

**WARNING** - Since accessories other than those listed have not been tested with this product, use of such accessories could be hazardous.

**PERCUSSION TYPE CARBIDE-TIPPED DRILLS WITH HEX SHAPED SHANKS**

DRILL NO.	DIA.	LENGTH	MAX. DRILLING DEPTH
59206	1/2"	11"	6 1/2"
59209	1/2"	16 1/2"	12"
59212	3/8"	11"	6 1/2"
59215	5/8"	11"	6 1/2"
59218	3/4"	8 1/4"	4"
59221	7/8"	8 1/4"	4"

**BULL POINT**

BULL POINT NO.	LENGTH
59240	10"

**PERCUSSION TYPE CARBIDE-TIPPED DRILLS WITH "A" TAPER SHANK**

Requires drill holder for mounting to Hammers.

DRILL NO.	DIA.	LENGTH	MAX. DRILLING DEPTH
59500	1/4"	6"	4"
59503	3/16"	6"	4"
59504	3/8"	6"	4"
59506	3/8"	9"	6 1/2"
59509	7/16"	5"	3"
59512	1 1/2"	5"	3"
59515	1/2"	9"	6 1/2"
59518	3/16"	6"	4"
59521	5/8"	9"	6 1/2"
59524	1 1/16"	8"	4"
59527	2 1/2"	6"	4"

**CONCRETE CHISEL**

CONCRETE CHISEL NO.	LENGTH
59243	10"

**SLOTING TOOL**

TOOL NO.	SIZE	OVERALL LENGTH
59246	1/4" x 7/8"	10"

**MORTAR CHISEL**

TOOL NO.	DIA.	OVERALL LENGTH
59249	7/8"	10"

**59263 DRILL HOLDER**

For mounting "A" TAPER percussion carbide-tipped drills to Hammers

**DRIFT KEY**

No. 59582. For use with drill holders.

**CAULKING TOOL**

TOOL NO.	DIA.	OVERALL LENGTH
59567	7/8"	10"

**CARBIDE CORE BITS**

Replacement Thread 59270.

SHANK	CORE DRILL BODIES	HOLE SIZE	MAX. DRILL DEPTH	STARTER DRILL
59268	59264 59265	1" 1 1/8"	6" 6"	None Required

**TOOTH ANCHOR ACCESSORIES**

DESCRIPTION	CATALOG NO.	SIZE
Shank	59308	
Ejector Key	59309	
Drift Pin	59310	
Chuck Head	59301	1/4"
Chuck Head	59302	3/16"
Chuck Head	59303	3/8"
Chuck Head	59304	1/2"
Chuck Head	59305	5/8"
Chuck Head	59306	3/4"
Chuck Head	59307	7/8"

For use with all self-drilling Tooth Anchors.

## SHARPENING ROCKWELL CARBIDE TIP BITS

After considerable use, the cutting edges of carbide tip bits become rounded, reducing the cutting efficiency. When this occurs, use a competent local grinding service or return the bit to your nearest Rockwell Service Center or Authorized Rockwell Service Station to have it sharpened.

Bits should be sharpened to the following specifications.

1. Use a fine (80 or 100) grit silicon carbide wheel. Grind dry or use a flooded wheel.

2. If edge (A) is rounded, true the included angle to 130 degrees until a sharp edge exists as in Fig. 9.

3. Grind narrow face of tip and supporting steel to 60 degrees as shown in section X-X, Fig. 9.

4. Grind wide face to 20 degrees and relieve supporting steel another 30 degrees as shown in section X-X, Fig. 9.

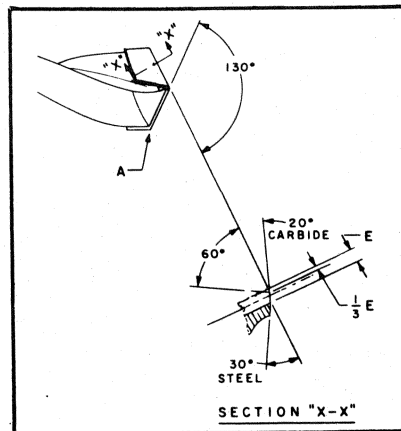


Fig. 9

5. Keep drill tip moving across the wheel during the grinding operation to avoid overheating, hollow grinding and possible damage to the carbide.

6. Do not quench the bit in water to cool it. Due to the sudden temperature change, stresses could be set up in the carbide to cause failure.

7. Slightly dull all sharp cutting edges with the wheel or a hone before using the bit to avoid cracking of the carbide.

**ROCKWELL LIMITED ONE YEAR WARRANTY**

Rockwell International warrants its Professional Power Tools for a period of one year from the date of original purchase. We will repair or replace at our option, any part or parts of the product and accessories covered under this warranty which examination proves to be defective in workmanship or material during the warranty period. For repair or replacement, return the complete tool or accessory, transportation prepaid, to your nearest Rockwell Service Center or Authorized Service Station as listed under "Tools—Electric" in the Yellow Pages of your telephone directory. Proof of purchase may be required. This warranty does not apply to repair or replacement required due to misuse, abuse, normal wear and tear and/or repairs attempted or made by other than our Service Centers or Authorized Service Stations.

To obtain information on warranty performance please write to: Rockwell International, Power Tool Division, 400 North Lexington Avenue, Pittsburgh, Pennsylvania 15208; Attention Mr. Al Larkin, Customer Service Manager. The foregoing obligation is Rockwell's sole liability under this or any implied warranty and under no circumstances shall Rockwell be liable for any incidental or consequential damages. NOTE: Some states do not allow the exclusion or limitation of incidental or consequential damages so the above limitation or exclusion may not apply to you.

This warranty gives you specific legal rights and you may also have other legal rights which vary from state to state.



ALABAMA

Birmingham 35209
Suite 105
131 West Oxmoor Road
Phone: (205) 942-6325

ARIZONA

Phoenix 85017
3004 West Thomas Road
Phone: (602) 269-5617

CALIFORNIA

Los Angeles 90007
2400 South Grand Avenue
Phone: (213) 749-0386

Orange 92668
385 North Anaheim Blvd.
Phone: (714) 634-4111

Sacramento 95818
2828 Q Street
Phone: (916) 452-0228

Santa Clara 95050
2305 De La Cruz Blvd.
Phone: (408) 241-9790

San Diego 92111
7465 Raytheon Road
Phone: (714) 279-2520

San Leandro 94577
3039 Teagarden Street
Phone: (415) 357-9762

Van Nuys 91406
16259 Stagg Street
Phone: (213) 989-1242

COLORADO

Denver 80207
4900 East 39th Avenue
Phone: (303) 388-5803

CONNECTICUT

Manchester (Hartford) 06040
57 Tolland Turnpike
Phone: (203) 646-1078

DISTRICT OF COLUMBIA

Hyattsville, MD. 20781
4811 Kenilworth Avenue
Phone: (301) 779-8080

FLORIDA

Hialeah 33014
16373-75 N.W. 57th Ave.
Phone: (305) 624-2523

Jacksonville 32205
517 Cassat Avenue
Phone: (904) 387-4455

Tampa 33609
4536 W. Kennedy Blvd.
Phone: (813) 877-9585

Orlando 32803
1807 1/2 Winter Park Road
Phone: (305) 644-8100

GEORGIA

Doraville (Atlanta) 30340
3500 McCall Place
Phone: (404) 458-2263

Forest Park (Atlanta) 30050
4017 Jonesboro Road
Phone: (404) 363-8000

HAWAII

Honolulu 96819
3209 Koapaka Street
Phone: (808) 836-2048

ILLINOIS

Melrose Park (Chicago) 60160
4533 North Avenue
Phone: (312) 345-8900

Posen (Chicago) 60469
2515 W 147th Place
Phone: (312) 371-5053

INDIANA

Indianapolis 46268
Park 100 Bldg. No. 6
5317 W 86th Street
Phone: (317) 872-9078

KENTUCKY

Louisville 40218
Buechel Plaza
4160 Bardstown Rd.
Phone: (502) 491-8011

LOUISIANA

Kenner (New Orleans) 70062
2440-D Veterans Mem. Blvd.
Phone: (504) 469-7363

MARYLAND

Baltimore 21205
4714 Erdman Avenue
Phone: (301) 483-3100

MASSACHUSETTS

Boston 02134
414 Cambridge St. (Allston)
Phone: (617) 782-1700

MICHIGAN

Southfield (Detroit) 48075
18650 W. Eight Mile Road
Phone: (313) 569-4333

Grand Rapids 49506
2750 Birchcrest S.E.
Phone: (616) 949-9040

MINNESOTA

Minneapolis 55429
4315 68th Avenue North
Phone: (612) 561-9080

MISSOURI

North Kansas City 64116
1141 Swift Avenue
Phone: (816) 221-2070

St. Louis 63139
2348 Hampton Avenue
Phone: (314) 644-3166

NEW JERSEY

Union 07083
945 Ball Avenue
Phone: (201) 964-1730

NEW YORK

New York 10013 (Manhattan)
132 Lafayette Street
Phone: (212) 966-2726

Flushing 11365
175-25 Horace Harding Expwy.
Phone: (212) 225-2040

Syracuse 13224
2740 East Erie Blvd.
Phone: (315) 445-1922

Tonawanda 14150
3191 Eggert Road
Phone: (716) 837-1222

NORTH CAROLINA

Charlotte 28209
4612 South Boulevard
Phone: (704) 525-4410

Greensboro 27406
3005 South Elm
Phone: (919) 274-4604

OHIO

Cincinnati 45215
1433 Glendale-Milford Rd.
Phone: (513) 772-1490

Columbus 43214
4560 Indianola Avenue
Phone: (614) 263-0929

Dayton 45439
3050 S. Kettering Blvd.
Phone: (513) 298-5281

Mayfield Heights (Cleveland) 44124
6279 Mayfield Road
Phone: (216) 449-4846

Toledo 43606
2934 Douglas Road
Phone: (419) 473-0962

OKLAHOMA

Oklahoma City 73107
3631 N.W. 23rd Street
Phone: (405) 946-5437

OREGON

Portland 97212
51 N.E. Hancock
Phone: (503) 288-6888

PENNSYLVANIA

Harrisburg 17112
5131 Jonestown Road
Phone: (717) 657-0545

Philadelphia 19120
4433-37 Whitaker Avenue
Phone: (215) 455-7907

Monroeville (Pittsburgh) 15146
Monroeville Mall Annex
Mall Circle Drive
Phone: (412) 247-3600

RHODE ISLAND

East Providence 02914
1009 Waterman Avenue
Phone: (401) 434-3620

TENNESSEE

Knoxville 37919
342 Troy Circle
Phone: (615) 588-3546

Memphis 38116
1004 East Brooks Road
Phone: (901) 332-1353

TEXAS

Dallas 75247
2934 Iron Ridge Street
Phone: (214) 631-1890

Houston 77018
Suite 114
10606 Hempstead Road
Phone: (713) 682-0334

San Antonio 78218
Suite 107
2800 N.E. Loop 410
Phone: (512) 654-1061

UTAH

Salt Lake City 84115
Mail: P.O. Box 15928
2990 S.W. Temple
Phone: (801) 487-4953

VIRGINIA

Norfolk 23502
5335 E. Virginia Beach Blvd.
Phone: (804) 461-8024

Richmond 23230
1705 Dabney Road
Phone: (804) 257-7348

WASHINGTON

Seattle 98101
1918 Minor Avenue
Phone: (206) 622-4576

WISCONSIN

Milwaukee 53222
10700 W. Burleigh Street
Phone: (414) 774-3650

CANADA

ALBERTA

Calgary, Alberta T2G 4B9
4411 Manitoba Road, S.E.
Phone: (403) 287-0462

Edmonton T9P 3X6
10632 169th Street
Phone: (403) 489-5587

BRITISH COLUMBIA

Vancouver, B.C. V5Y 1L4
45 West 7th Avenue
Phone: (604) 879-8622

MANITOBA

Winnipeg, Manitoba R3H 0H2
1699 Dublin Avenue
Phone: (204) 633-9259

ONTARIO

Guelph, Ontario N1H 6M7
644 Imperial Road
Phone: (519) 836-4390

London, Ontario N5Z 3L3
317 Adelaide Street, S.
Phone: (519) 681-0890

Mississauga, Ontario L4V 1J2
6463 Northham Drive
Phone: (416) 677-5330

Ottawa, Ontario K2P 0N9
207 Gilmour Street
Phone: (613) 236-7459

QUEBEC

St. Laurent (Montreal), P.O.
H4N 1W2
523 Rue Deslauriers
Phone: (514) 336-8772

Ste-Foy, Quebec G1N 4L5
Suite 202
2022 Rue Lavoisier
Phone: (418) 681-7305



